



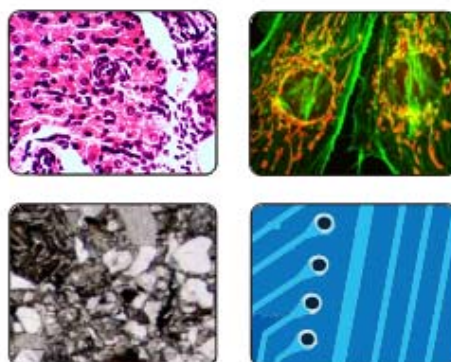
Digital Cameras



Microscope Digital Eyepiece

Features

- High performance CMOS sensor and DSP Technology
- More than 1 Mega-Pixel resolution
- Larger than 70% of the eyepiece field
- Sharp, crystal-clear images
- Dynamic adjustment with image parameters
- Auto white balance and auto exposure
- Display realtime image with high speed
- Image detail is clear even in extremely low light
- Easy installation and use



Specification

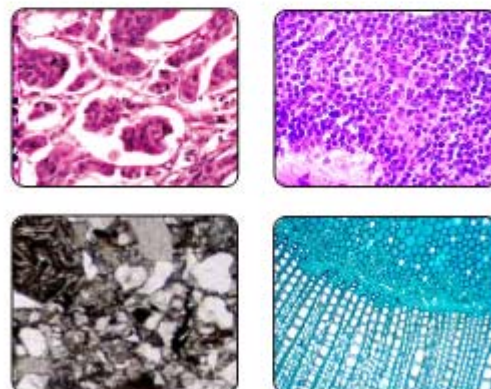
	Y-E10	Y-E20
Image Sensor	1/3.2" CMOS, 1.3M pixel	1/3.2" CMOS, 2.0M pixel
Max Resolution	1280×1024	1600×1200
Pixel Size	3.6μm×3.6μm	2.8μm×2.8μm
S/N Ratio	>45dB	
Sensitivity	1.0V/lux-sec 550nm	
ADC	12bits	
Lens Interface	Standard C/CS-Mount	
Image Frame Rate	15fps @ 1280×1024; 15fps @ 1024×768; 15fps @ 800×600; 30fps @ 640×480.	7.5fps @ 1600×1200; 7.5fps @ 1280×1024; 15fps @ 1024×768; 15fps @ 800×600; 30fps @ 640×480.
Operating system	Windows XP / Windows Vista / Windows 7	
PC Interface	USB2.0	
Reducing lens	Reducing lens RT-0.45X(0.45X)	
Power	USB 2.0 supported	
Size	40mm×40mm×90mm	
Weight	80gram	

Microscope Digital Camera



Features

- High performance CMOS sensor and DSP technology
- More than 3 Mega-Pixel resolution
- Microscopy level quality, Sharp, crystal-clear images
- Dynamic adjustment with image parameters
- Auto white balance and auto exposure
- Support high-speed preview
- Image detail is clear even in extremely low light
- Be easily used in all types of microscopes



Specification

	Y-M30	Y-M50	Y-M90
Image Sensor	1/2" CMOS, 3M pixels	1/2.5" CMOS, 5M pixels	1/2.3" CMOS, 9M pixels
Max Resolution	2048×1536	2592×1944	3488×2616
Pixel Size		2.2 μ m×2.2 μ m	1.75 μ m×1.75 μ m
S/N Ratio	>43dB	41dB	39dB
Sensitivity	1.0V/lux-sec 550nm	1.4V/lux-sec 550nm	0.31V/lux-sec 550nm
ADC	10bits	12bits	12bits
Lens Interface	Standard C/CS-Mount		
Image Frame Rate	11fps @ 2048×1536 15fps @ 1024×768; 30fps @ 640×480.	6fps @ 2592×1944; 15fps @ 1024×768; 30fps @ 640×480.	2fps @ 3488×2616; 6fps @ 1600×1200; 20fps @ 1280×960; 30fps @ 800×600; 30fps @ 640×480.
Operating system	Windows XP / Windows Vista / Windows 7		
PC Interface	USB2.0		
Reducing lens	Reducing lens RT-0.45X(0.45X)		
Power	USB 2.0 supported		
Work Temp.	—5°C to +60°C		
Size	40mm×40mm×90mm		
Weight	115gram		

USB Industrial Camera

Features

- High performance CMOS sensor and DSP technology
- More than 1 Mega-Pixel resolution
- Larger than 70% of the eyepiece field
- Sharp, crystal-clear images
- Dynamic adjustment with image parameters
- Auto white balance and auto exposure
- Display realtime image with high speed
- Image detail is clear even in extremely low light
- Easy installation and use



Specification

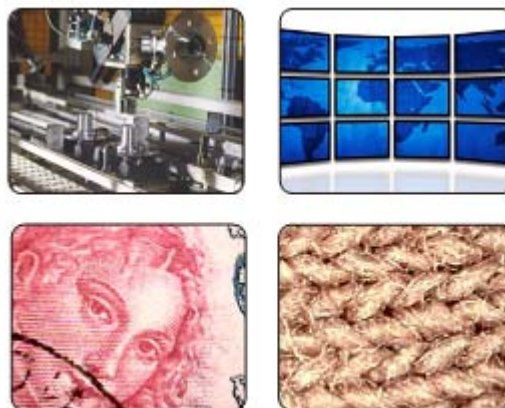
	Y-M30	Y-M50	Y-M90
Image Sensor	1/2" CMOS, 3M pixels	1/2.5" CMOS, 5M pixels	1/2.3" CMOS, 9M pixels
Max Resolution	2048×1536	2592×1944	3488×2616
Pixel Size		2.2 μ m×2.2 μ m	1.75 μ m×1.75 μ m
S/N Ratio	>43dB	41dB	39dB
Sensitivity	1.0V/lux-sec 550nm	1.4V/lux-sec 550nm	0.31V/lux-sec 550nm
ADC	10bits	12bits	12bits
Lens Interface	Standard C/CS-Mount		
Image Frame Rate	11fps @ 2048×1536 15fps @ 1024×768; 30fps @ 640×480.	6fps @ 2592×1944; 15fps @ 1024×768; 30fps @ 640×480.	2fps @ 3488×2616; 6fps @ 1600×1200; 20fps @ 1280×960; 30fps @ 800×600; 30fps @ 640×480.
Operating system	Windows XP / Windows Vista / Windows 7		
PC Interface	USB2.0		
Reducing lens	Reducing lens RT-0.45X(0.45X)		
Power	USB 2.0 supported		
Work Temp.	—5°C to +60°C		
Size	40mm×40mm×90mm		
Weight	115gram		

VGA Color Camera



Features

- High performance CMOS sensor and DSP technology
- More than 1 Mega-Pixel resolution
- Sharp, crystal-clear images
- Auto white balance and auto exposure
- Display higher speed than USB Camera
- Support three couples of cross lines
- Support OSD Menu
- Can capture image to SD card with JPEG format
- Specialized on industrial inspection and Microscopes



Specification

	Y-V20	Y-V20P
Image Sensor	1/3.2" CMOS, 2.0M pixel	1/3.2" CMOS, 2.0M pixel
Max Resolution	1600×1200	
Pixel Size	3.6μm×3.6μm	2.8μm×2.8μm
S/N Ratio	>45dB	
Sensitivity	1.0V/lux-sec 550nm	
ADC	10bits	
Lens Interface	Standard C/CS-Mount	
Image Frame Rate	15fps @ 1600×1200; 15fps @ 1680×1050; 15fps @ 1440×900; 15fps @ 1280×1024; 15fps @ 1280×800; 15fps @ 1024×768; 30fps @ 800×600.	
Operating system	Windows XP / Windows Vista / Windows 7	
Output Interface	VGA Video Output	
Control Box	Support	
Power supply	DC5V 1A	
Work Temp.	—5°C to +60°C	
Size	40mm×40mm×90mm	
Weight	235gram	

Microscope Reducing Lens

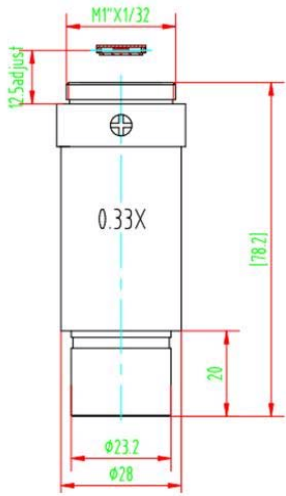
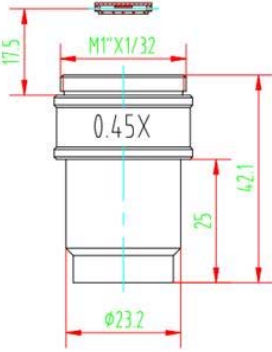
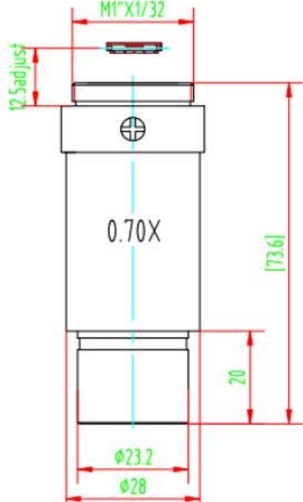
Features

- More than 1 Mega-Pixel resolution
- Standard C/CS Mount, Outer diameter is 23.2mm
- Can be used in the sensor less than 1/1.8"
- Sharp edges, high contrast
- Less distortion, no chromatic aberration



Specification

		RT-0.33X	RT-0.45X	RT-0.70X
Reducing rate		0.33X	0.45X	0.70X
Lens Interface		CS Mount	C/CS Mount	CS Mount
Outer Diameter		23.2mm	23.2mm	23.2mm
sensor size	1/4.0"		1/4.0"	1/4.0"
	1/3.2"		1/3.2"	1/3.2"
			1/3.0"	1/3.0"
			1/2.5"	1/2.5"
			1/2.3"	1/2.3"
			1/2.0"	1/2.0"
Field of View		18mm	18mm	18mm
10X Field Size	1/4.0"	68%	48%	33%
	1/3.2"	90%	65%	40%
	1/2.5"	/	78%	53%
	1/2.3"	/	82%	56%
	1/2.0"	/	89%	63%

<p>Size</p>			
<p>Weight</p>	<p>70g</p>	<p>45g</p>	<p>65g</p>

Professional Camera Software

Features

- Suitable for all USB camera DShowed
- Realtime video processing function
- Support realtime measurement
- Support image quick saving
- Can merge measurement to image

